

## Overview

The TR series embedded open frame touch monitors with multi-point (10 points) projected capacitive (PCAP) touch screen deliver an industrial-grade & reliable solution with wide-angle viewing, outstanding image clarity & accurate touch response that is cost-effective for OEMs and systems integrators. Embedded eye-catching & rugged bezel with edge-to-edge glass and ultra-thin & ultra-narrow edge structure design with patent delivers flat design self-service terminals with high durability and scratch & water resistance. Landscape, portrait and face-up orientation ensures flexible mounting possibilities in almost any installation. Our TR series product line is available in a wide range of sizes, offering the versatility needed for commercial kiosk applications from self-service and gaming to industrial automation, digital signage & healthcare.



## Features

### Embedded Design

Edge-to-edge glass design ensures seamless and flat integration

### Easy to Use

Plug & play, flexible video input interface

### Full HD

1920 x 1080 resolution

### Reliable and Professional Design

Elegant design with metal structure & plastic front bezel delivers outstanding image clarity

### Touch Through Enabled with PCAP

Accurate 10 points touch responses support touch through a front layer of glass with thickness's up to 5mm.

### Multi-touch

Support Windows multi-touch protocol

### Supported OS

Windows 7 /10, Android , Linux, Mac OS X

### Flexible Mounting

Different mounting holes & external brackets making flexible mounting possibilities in almost any installation

## Specifications

### Display

LED Panel	IPS-Panel ,32 inch
Backlight	E-LED (edge-lit)
Viewable Area	698.4 x 392.8 mm
Brightness	400 cd/m2
Contrast Ratio	1200:1
Viewing Angle	178° H/V
Response Time	8 ms (GTG)
Number of Colors	16.7M Colors
Native Resolution	1920x1080 (16:9), FHD
Video Frequency	60Hz
Video Interface	VGA x1 / HDMI x1 / DVI x1
Input Resolution	1920 x 1080 @ 60Hz

### Touch

Touch Points	10 (HID, only with supported OS)
Touch Technology	No touch version → WTM320TR-NT
Touch Method	Projective Capacitive (PCAP)
	Finger, glove (latex)
Glass Overlay	Active & passive stylus pen
	4mm tempered glass
Water Resistance	Optional AG / AR surface finish
	Support touch in water fog and light rain
Calibration	Little drops of water will not cause drift
Response Time	16ms
Report Rate	>100Hz
Touch Interface	USB (Type B) x1
Supported OS	Win 7 / 10 / Android / Linux / Mac

### OSD Function

OSD Controls	7 buttons / remote control
OSD Languages	CN, EN, FR, IT, DE
	ES, KR, RU, PT
Remote Control Interface	RS232 x 1, support duplex communication remote Control (optional)

### Mechanical

Product Dimension	792.8x 487.4x 55.5 mm
Packing Dimension	904x 575x 200 mm (1 PCS)
	1150x 910x 925 mm (12 PCS)
Weight(approx.)	17 kg / 21 kg(1PCS)/230 kg(12PCS)
Wall Mount Method	VESA,MIS-F,200x200 mm,Y,6,90

### Electrical

Internal Speakers	支持 8Ω 7W
Power Supply	AC in: 100V~240V (50/60Hz)
Typical Power	≤ 50W (typ.)
Standby Power	≤ 2 W (typ.)

### Environmental

Operating T & H	0 °C ~ 50 °C, 90% RH
Storage T & H	-20 °C ~ 60 °C, 90% RH

### Accessories

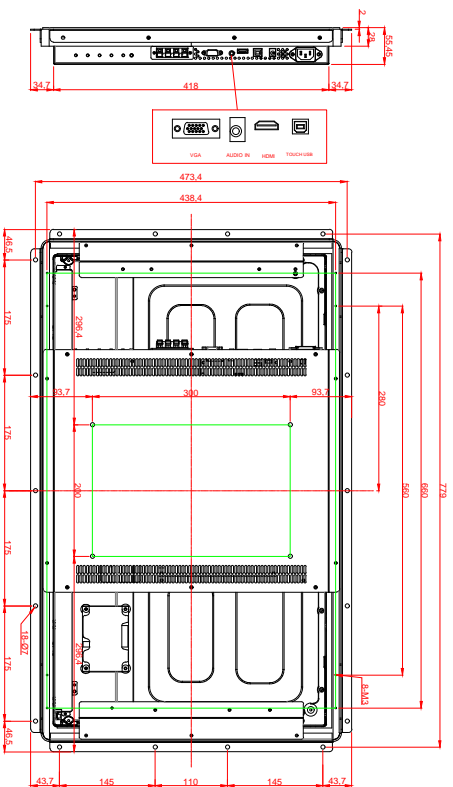
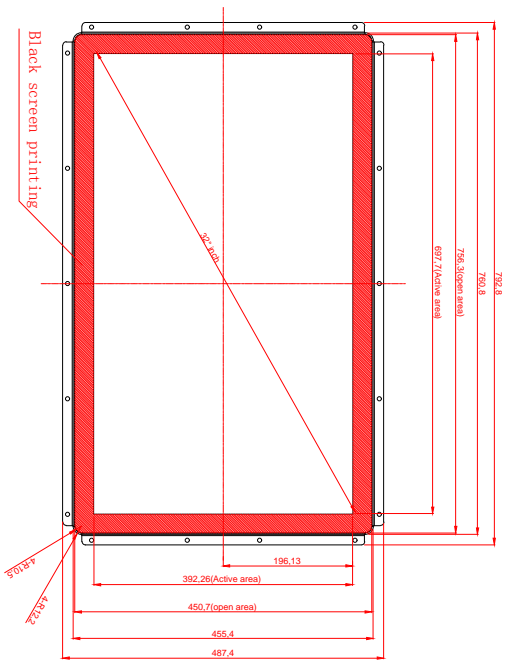
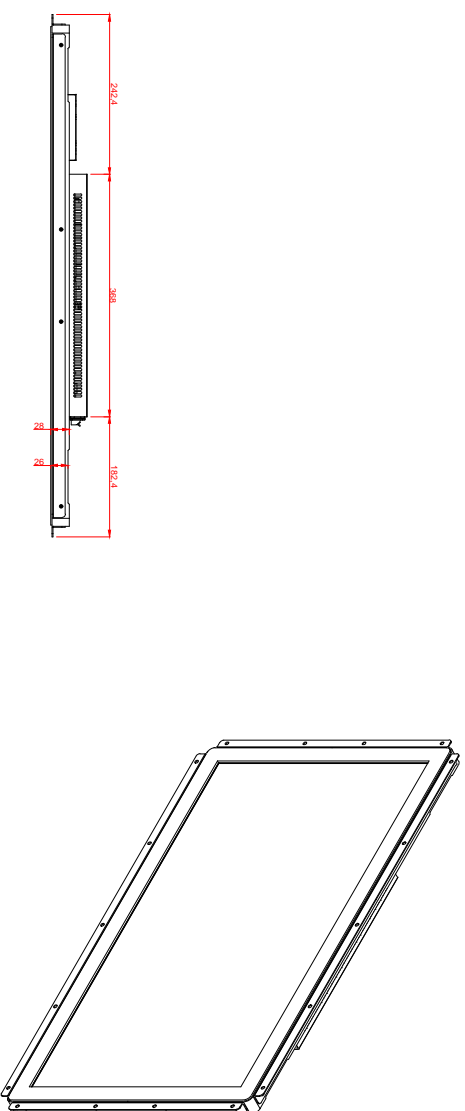
Active Stylus Pen	Included
Mounting Bracket	Wall mount or free standing
OPS PC	Supported

### Other

Ready for Use	7/24
Warranty	1 年
Regulations	CCC, CE, FCC, CB, RoHS



B



未注明公差表

尺寸范围	公差 (mm)
Under 25 mm	0.1
25.1~100 mm	0.2
100.1~250 mm	0.4
250.1~400 mm	0.8
400.1~500 mm	1.5
500.1~630 mm	2.0
630.1~800 mm	2.5

A

B

A

公差

除非另有说明 否则所有尺寸都为毫米

.x ±0.2 圆角 ±0.15

.xx ±0.1 角度 ±0.5°

不要根据图纸比例测量

名称: WTM320TR-CU10-B

设计: \_\_\_\_\_

日期: 2019.08.29

图号: \_\_\_\_\_

比例: 不按比例

页码: 1 of 1

版本: 01



开始	日期	说明	编写
2			