

## TV Cart

### GENERAL FEATURES

#### Product Description

The AD-TVC cart is designed for presentation and education applications. It supports a wide range of medium to heavy weight displays.

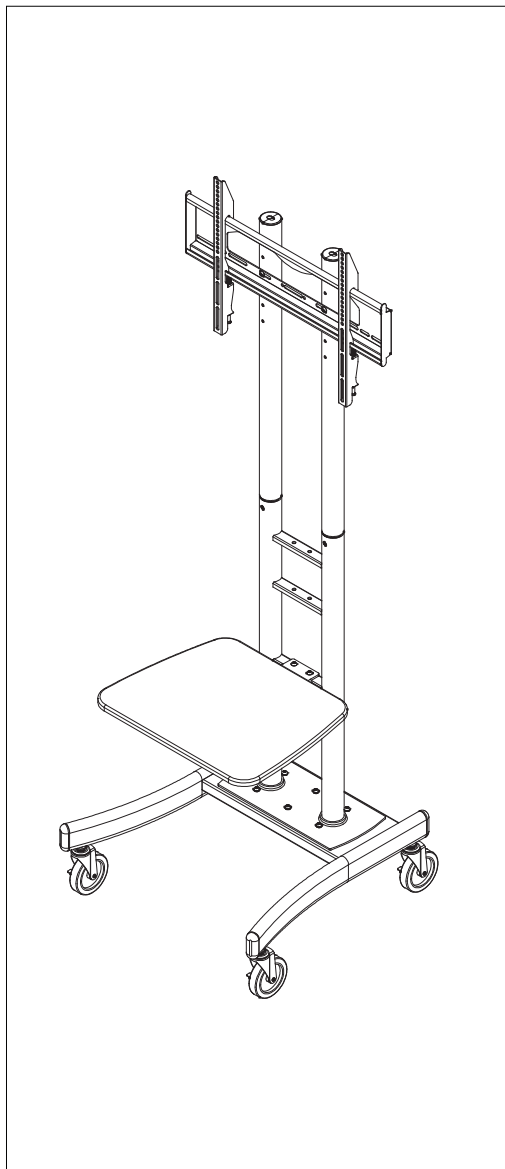
#### VESA Mounting Compatibility

Max width 600mm  
Max height 400mm

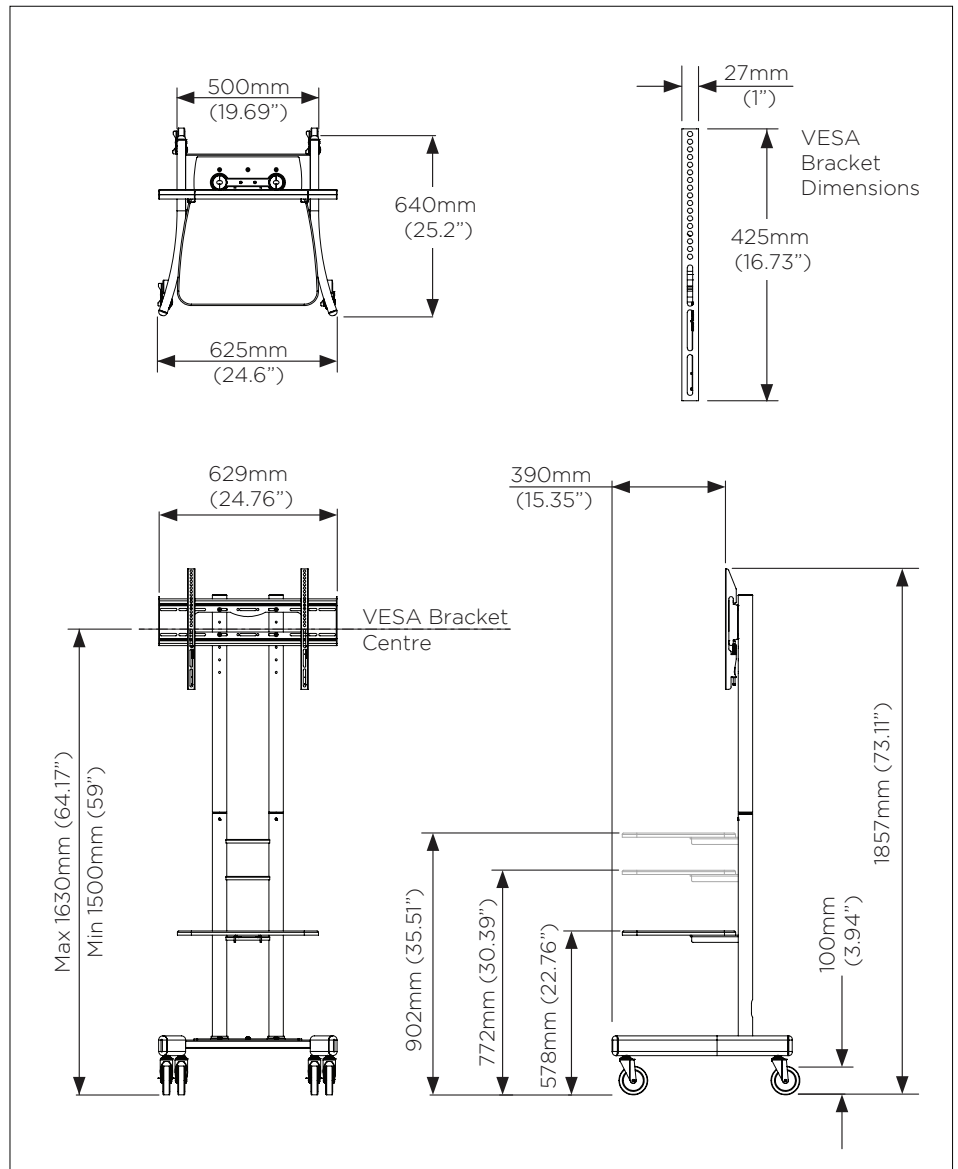
#### Product Warranty

2 years limited

### OVERVIEW



### DIMENSIONS



### IMPORTANT INFORMATION

- ! Please ensure this product is installed as per these installation instructions.
- ! Maximum load for the shelf is 5kg (11lbs)
- ! The manufacturer accepts no responsibility for incorrect installation.



Max - 50kg (110lbs)